



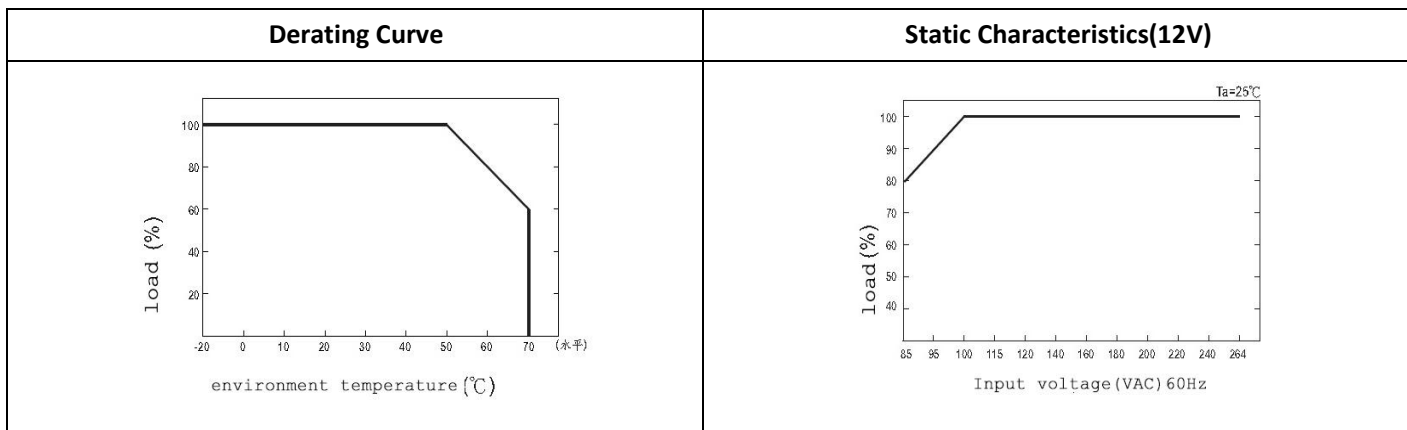
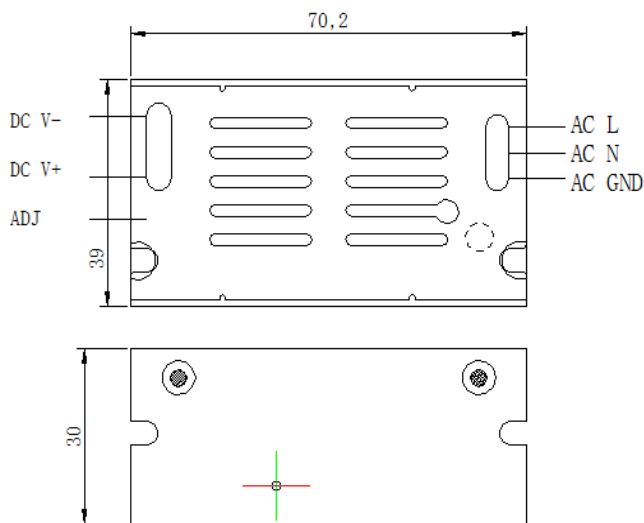
FEATURES

- 100% full load burn-in test
- Universal AC input
- Small size and high efficiency
- Conform to EMC EN5502 GB9254
- Built-in EMI filter with tiny ripple
- Comply with the safety standards UL60950 GB4943 EN60850
- Protection: short circuit/over Voltage/over/load temperature

	MODEL	12V 5W
OUTPUT	DC VOLTAGE	12V
	RATED CURRENT	0.42A
	CURRENT RANGE	0~0.42A
	RATED POWER	5W
	RIPPLE& NOISE (MAX.)	150mV
	VOLTAGE TOLERANCE	±1%
	SETUP , RISE TIME	1000ms, 30ms/230VAC 1000ms,30ms/115VAC at full load
	HOLD UP TIME(Typ.)	100ms/230VAC 20ms/115VAC at full load
INPUT	VOLTAGE RANGE	85 ~ 264VAC
	FREQUENCY RANGE	47~63Hz
	POWER FACTOR(Typ.)	PF>0.6/220VAC
	EFFICIENCY(Typ.)	86%
	AC CURRENT(Typ.)	0.2A/115VAC 0.15A/230VAC
	INRUSH CURRENT(Typ.)	cold start 45A/230V
	SHORT CIRCUIT	protection type: recovers automatically after fault condition is removed
PROTECTION	OVER LOAD	105~135% hiccup mode, auto-recovery
	DC ADJ. RANGE	±10% rated output voltage
ENVIRONMENT	WORKING TEMP	-40°C~+60°C (no frost)
	WORKING HUMIDITY	20%~90%RH
	STORAGE TEMP , HUMIDITY	-40°C~85°C/10%~95%RH
SAFETY&EMC	SAFETY STANDARDS	CE ROHS
	WITHSTAND VOLTAGE	I/P-O/P: 1.5KVAC/1min, I/P-F/G: 1.5KVAC/1min, O/P-F/G: 0.5KVAC/1min
	EMC TESTING STANDARD	EN55015:2006; EN61547:1995+A1:2000;EN61000-3-2:2006 EN61000-3-3:1995+A2:2005;EN61347-3-13:2006

Mechanical Specification

Terminal Assignment			
Pin No.	Assignment	Pin No.	Assignment
1	AC/L		DC OUTPUT-V
2	AC/N		DC OUTPUT+V
3	FG		
Dimension: 70*40*30 mm		Carton size: 430*278*227 mm	
Carton Quantity: 100PCS/Carton		Weight: 0.1Kg/PCS	



REMARKS:

- 1, The above mentioned data were measured at 230VAC input and 25°C.
- 2, Ripple & noise are measured at 20MHz of bandwidth by using a 12" twisted pair-wire terminated with a 0.1uf & 47uf parallel capacitor.
- 3, Cut the AC input before checking any mal-phenomenons.
- 4, Make sure the INPUT&OUPUT were in right situation before connected to power supply.
- 5, Be ware of high power pressure may caused by short circuit when installing metal casing products.
- 6, Please contact us at infor@xinrealpower.com for further solution if any unforeable problem happens.