



# Specialist in LED Power Supplies

## E-catalog 2018

**Shenzhen XINREAL Technology Co., Ltd.**

8/F, A3 Building,

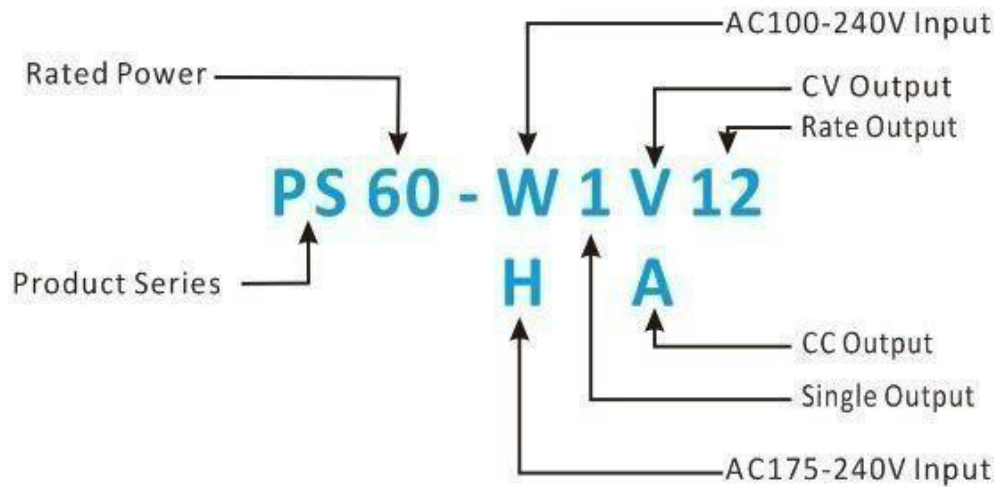
Huafeng Century Industrial Park,

Shenzhen, China 518126

[www.xinrealpower.com](http://www.xinrealpower.com)

[info@xinrealpower.com](mailto:info@xinrealpower.com)

## ■ Products Name Encoding



## ■ Why Choose Us

- 1, Factory direct-sell.
- 2, 3 years factory replacement warranty.
- 3, OEM&ODM to meet your customized requirement.
- 4, Safe stock ensures 5 days quick delivery for regular orders.
- 5, Specialist in constant voltage with good professional skills.

## NE-SERIES-IP20



### ■ PRODUCT FEATURES

- 1, Aluminum casing material with good heat ability.
- 2, Power range from 60W to 250W.
- 3, Built in EMI filter with tiny ripple rate.
- 4, 85% High efficiency with sufficient power.
- 5, 4 hours 100% full-load burn-in test before shipping.
- 6, OVP, OPF, OTP and Short circuit Protection programmed.
- 7, CE and ROHS certified.

### ■ PRODUCT UNDER THIS TYPE

MODEL	Water Level	POWER	AC Input	Volt/DC	HEAT SINK	SIZE/MM
	IP20					
NE60-W1V12	IP20	60W	110-240V	12V*5A	Free Air	112*79*30
NE100-W1V12	IP20	100W	110-240V	12V*8.3A	Free Air	130*98*30
NE150-W1V12	IP20	150W	110-240V	12V*12.5A	Free Air	162*98*30
NE250-H1V12	IP20	250W	175-240V	12V*20.8A	Free Air	162*98*30
NE300-H1V5	IP20	300W	175-240V	5V*60A	Free Air	220*118*30
NE360-H1V12	IP20	360W	110V/220V	12V*30A	Free Air	215*105*29.5
NE400-H1V12	IP20	400W	110V/220V	12V*33.3A	Free Air	215*105*29.5

## NA-SERIES-IP20



### ■ PRODUCT FEATURES

- 1, Metal-alloy casing material with good heat ability.
- 2, Power range from 5W to 600W.
- 3, Built in EMI filter with tiny ripple rate.
- 4, 85% High efficiency with sufficient power.
- 5, 4 hours 100% full-load burn-in test before shipping.
- 6, OVP, OPF, OTP and Short circuit Protection programmed.
- 7, CE and ROHS certified.

### ■ PRODUCT UNDER THIS TYPE

MODEL	Water Level	POWER	AC Input	Volt/DC	HEAT SINK	SIZE/MM
NA5-W1V12	<b>IP20</b>	5W	100-240V	12V	Free Air	85*58*33
NA15-W1V12	<b>IP20</b>	15W	100-240V	12V	Free Air	85*58*33
NA25-W1V12	<b>IP20</b>	25W	100-240V	12V	Free Air	85*58*33
NA36-W1V	<b>IP20</b>	35W	100-240V	12/24V	Free Air	85*58*37.5
NA60-W1V	<b>IP20</b>	60W	100-240V	5/12/24V	Free Air	111*78*36
NA100-W1V	<b>IP20</b>	100W	100-240V	12/24V	Free Air	129*98*40
NA120-W1V	<b>IP20</b>	120W	100-240V	12/24V	Free Air	129*98*40
NA150-W1V	<b>IP20</b>	150W	100-240V	12/24V	Free Air	159*99*49
NA200-H1V	<b>IP20</b>	200W	175-240V	5/12/24V	Free Air/FAN	159*99*49
NA250-H1V	<b>IP20</b>	250W	175-240V	12/24V	FAN	159*99*49
NA350-H1V	<b>IP20</b>	350W	175-240V	12/24V	FAN	200*99*50
NA400-H1V	<b>IP20</b>	400W	175-240V	12/24V	FAN	200*99*50
NA500-H1V	<b>IP20</b>	500W	175-240V	12/24V	FAN	200*99*50
NA600-H1V	<b>IP20</b>	600W	175-240V	12/24V	FAN	200*99*50

## NT-SERIES-IP20



### ■ PRODUCT FEATURES

- 1, Aluminum casing material with good heat ability.
- 2, Power range from 60W to 300W.
- 3, Built in EMI filter with tiny ripple rate.
- 4, 85% High efficiency with sufficient power.
- 5, 4 hours 100% full-load burn-in test before shipping.
- 6, OVP, OPF, OTP and Short circuit Protection programmed.
- 7, CE and ROHS certified.

### ■ PRODUCT UNDER THIS TYPE

MODEL	Water	POWER	AC Input	Volt/DC	HEAT SINK	SIZE/MM
	Level					
NT60-W1V12	<b>IP20</b>	60W	110-240V	12V*5A	Free Air	139*55*28
NT100-W1V12	<b>IP20</b>	100W	110-240V	12V*8.3A	Free Air	139*55*28
NT150-W1V12	<b>IP20</b>	150W	110-240V	12V*12.5A	Free Air	178*61*28
NT200-H1V12	<b>IP20</b>	200W	175-240V	12V*16.6A	Free Air	178*61*28
NT200-H1V5	<b>IP20</b>	250W	175-240V	5V*40A	Free Air	215*61.7*30.8
NT250-H1V12	<b>IP20</b>	250W	175-240V	12V*20.8A	Free Air	215*61.7*30.8
NT300-H1V12	<b>IP20</b>	300W	175-240V	12V*25A	Free Air	215*61.7*30.8

## NS-SERIES-IP20



### ■ PRODUCT FEATURES

- 1, Aluminum casing material with good heat ability.
- 2, Power range from 15W to 300W.
- 3, Built in EMI filter with tiny ripple rate.
- 4, 85% High efficiency with sufficient power.
- 5, 4 hours 100% full-load burn-in test before shipping.
- 6, OVP, OPF, OTP and Short circuit Protection programmed.
- 7, CE and ROHS certified.

### ■ PRODUCT UNDER THIS TYPE

MODEL	Water Level	POWER	AC Input	Volt/DC	HEAT SINK	SIZE/MM
NS15-W1V12	IP20	15W	100-240V	12V	Free Air	113*42*30
NS35-W1V12	IP20	35W	100-240V	12V	Free Air	113*42*30
NS60-W1V12	IP20	60W	100-240V	12V	Free Air	157*42*30
NS100-W1V12	IP20	100W	100-240V	12V	Free Air	178*48*34.5
NS150-W1V12	IP20	150W	100-240V	12V	Free Air	200*58*36
NS200-H1V	IP20	200W	175-240V	12/24V	Free Air	223*70*39
NS250-H1V	IP20	250W	175-240V	12/24V	Free Air	223*70*39
NS300-W1V12	IP20	300W	175-240V	12V	Free Air	223*70*39

## NC-SERIES-IP20 ULTRA



### ■ PRODUCT FEATURES

- 1, Aluminum casing material with good heat ability.
- 2, Power range from 100W,150W,200W,300W,360W.
- 3, Built in EMI filter with tiny ripple rate.
- 4, 85% High efficiency with sufficient power.
- 5, 4 hours 100% full-load burn-in test before shipping.
- 6, OVP, OPF, OTP and Short circuit Protection programmed.
- 7, CE and ROHS certified.

### ■ PRODUCT UNDER THIS TYPE

MODEL	Water Level	POWER	AC Input	Volt/DC	HEAT SINK	SIZE/MM
NC300-H1V5	<b>IP20</b>	300W	175-240V	5V	FAN	218*116*30
NC200-H1V5	<b>IP20</b>	200W	175-240V	5V	FAN	190*83*30
NC300-H1V5	<b>IP20</b>	300W	175-240V	5V	FAN	220*118*30
NC400-H1V5	<b>IP20</b>	400W	175-240V	5V	FAN	220*118*30

## NP-SERIES-IP44 PLASTIC



### ■ PRODUCT FEATURES

- 1, Plastic casing material with good heat ability.
- 2, Power range from 7W,15W,35W,60W.
- 3, Built in EMI filter with tiny ripple rate.
- 4, 85% High efficiency with sufficient power.
- 5, 4 hours 100% full-load burn-in test before shipping.
- 6, OVP, OPF, OTP and Short circuit Protection programmed.
- 7, CE and ROHS certified.

### ■ PRODUCT UNDER THIS TYPE

MODEL	Water Level	POWER	AC Input	Volt/DC	HEAT SINK	SIZE/MM
NP7-W1V12	<b>IP44</b>	7W	100-240V	12V	Free Air	99.6*29.1*22
NP15-W1V	<b>IP44</b>	15W	100-240V	12/24V	Free Air	99.6*29.1*22
NP35-W1V	<b>IP44</b>	35W	100-240V	12/24V	Free Air	145*33.5*22
NP60-W1V	<b>IP44</b>	60W	100-240V	12/24V	Free Air	176*43*25



# NRF-SERIES-IP65 RAINPROOF



## ■ PRODUCT FEATURES

- 1, Aluminum casing material with good heat ability.
- 2, Power range from 60W to 400W.
- 3, Built in EMI filter with tiny ripple rate.
- 4, 85% High efficiency with sufficient power.
- 5, 4 hours 100% full-load burn-in test before shipping.
- 6, OVP, OPF, OTP and Short circuit Protection programmed.
- 7, CE and ROHS certified.

## ■ PRODUCT UNDER THIS TYPE

MODEL	Water Level	POWER	AC Input	Volt/DC	HEAT SINK	SIZE/MM
NRF60-W1V12	<b>IP44</b>	60W	100-240V	12V	Free Air	111*82*44
NRF100-W1V12	<b>IP44</b>	100W	100-240V	12V	Free Air	130*82*44
NRF150-W1V12	<b>IP44</b>	150W	100-240V	12V	Free Air	156*82*45
NRF250-H1V12	<b>IP44</b>	250W	175-240V	12V	FAN	171*110*50
NRF350-H1V12	<b>IP44</b>	350W	175-240V	12V	FAN	220*110*50
NRF400-H1V12	<b>IP44</b>	400W	175-240V	12V	FAN	220*110*50
NRF300-H1V5	<b>IP44</b>	300W	175-240V	5V	FAN	220*110*50

## RF-SERIES-IP65 RAINPROOF



### ■ PRODUCT FEATURES

- 1, Aluminum casing material with good heat ability.
- 2, Power range from 60W to 600W.
- 3, Built in EMI filter with tiny ripple rate.
- 4, 85% High efficiency with sufficient power.
- 5, 4 hours 100% full-load burn-in test before shipping.
- 6, OVP, OPF, OTP and Short circuit Protection programmed.
- 7, CE and ROHS certified.

### ■ PRODUCT UNDER THIS TYPE

MODEL	Water Level	POWER	AC Input	Volt/DC	HEAT SINK	SIZE/MM
RF60-W1V12	<b>IP44</b>	60W	100-240V	12V	Free Air	165*71*42
RF100-W1V12	<b>IP44</b>	100W	100-240V	12V	Free Air	180*71*42
RF150-W1V12	<b>IP44</b>	150W	100-240V	12V	Free Air	230*92*53
RF200-H1V5	<b>IP44</b>	200W	175-240V	5V	FAN	230*92*53
RF250-H1V12	<b>IP44</b>	250W	175-240V	12/24V	FAN	230*92*53
RF300-H1V5	<b>IP44</b>	300W	175-240V	5V	FAN	265*112*58
RF350-H1V12	<b>IP44</b>	350W	175-240V	12/24V	FAN	265*112*58
RF400-H1V12	<b>IP44</b>	400W	175-240V	12/24V	FAN	265*112*58
RF600-H1V12	<b>IP44</b>	600W	175-240V	12/24V	FAN	265*112*58

## PF-SERIES-IP67 PLASTIC WATERPROOF



### ■ PRODUCT FEATURES

- 1, Plastic casing material with good heat ability.
- 2, Power range from 20W to 150W.
- 3, Built in EMI filter with tiny ripple rate.
- 4, 85% High efficiency with sufficient power.
- 5, 4 hours 100% full-load burn-in test before shipping.
- 6, OVP, OPF, OTP and Short circuit Protection programmed.
- 7, CE and ROHS certified.

### ■ PRODUCT UNDER THIS TYPE

MODEL	Water Level	POWER	AC Input	Volt/DC	HEAT SINK	SIZE/MM
PF12-W1V12	<b>IP67</b>	12W	100-240V	12V	Heat silicone	139*30*22
PF20-W1V12	<b>IP67</b>	20W	100-240V	12/24V	Heat silicone	139*30*22
PF35-W1V12	<b>IP67</b>	35W	100-240V	12/24V	Heat silicone	151*40*30
PF60-W1V12	<b>IP67</b>	60W	100-240V	12/24V	Heat silicone	165*42*32
PF75-W1V12	<b>IP67</b>	75W	100-240V	12V	Heat silicone	178*44*32
PF100-W1V12	<b>IP67</b>	100W	100-240V	12/24V	Heat silicone	192*52*37
PF150-W1V12	<b>IP67</b>	150W	100-240V	12/24V	Heat silicone	192*52*37

# AF-SERIES-IP67 ALUMINUM WATERPROOF



## ■ PRODUCT FEATURES

- 1, Aluminum casing material with good heat ability.
- 2, Power range from 20W to 300W.
- 3, Built in EMI filter with tiny ripple rate.
- 4, 85% High efficiency with sufficient power.
- 5, 4 hours 100% full-load burn-in test before shipping.
- 6, OVP, OPF, OTP and Short circuit Protection programmed.
- 7, CE and ROHS certified.

## ■ PRODUCT UNDER THIS TYPE

MODEL	Water	POWER	AC Input	Volt/DC	HEAT SINK	SIZE/MM
	Level					
AF20-W1V12	<b>IP67</b>	60W	100-240V	12V*1.67A	Free Air	170*40*30
AF 35-W1V12	<b>IP67</b>	100W	100-240V	12V*3A	Free Air	170*40*30
AF60-W1V12	<b>IP67</b>	150W	100-240V	12V*5A	Free Air	185*40*30
AF45-W1V12	<b>IP67</b>	45W	100-240V	12V*3.75A	Free Air	168*60.5*18
AF60-W1V12	<b>IP67</b>	60W	100-240V	12V*5A	Free Air	168*60.5*18
AF75-W1V12	<b>IP67</b>	75W	100-240V	12V*6.25A	Free Air	178*60.5*18
AF100-W1V12	<b>IP67</b>	100W	100-240V	12V*8.33A	Free Air	178*60.5*18
AF120-W1V12	<b>IP67</b>	120W	100-240V	12V*10A	Free Air	178*60.5*18
AF150-W1V12	<b>IP67</b>	150W	100-240V	12V*12.5A	Free Air	207.8*59*32.3
AF200-H1V12	<b>IP67</b>	200W	175-240V	12V*16.6A	Free Air	237.8*59*32.3
AF250-H1V12	<b>IP67</b>	200W	175-240V	12V*16.6A	Free Air	237.8*59*32.3
AF300-H1V12	<b>IP67</b>	200W	175-240V	12V*16.6A	Free Air	237.8*59*32.3

## LL-SERIES-IP44 SLIM PLASTIC



### ■ PRODUCT FEATURES

- 1, Plastic casing material with good heat ability.
- 2, Power range from 12W,24W,30W,36W.
- 3, Built in EMI filter with tiny ripple rate.
- 4, 85% High efficiency with sufficient power.
- 5, 4 hours 100% full-load burn-in test before shipping.
- 6, OVP, OPF, OTP and Short circuit Protection programmed.
- 7, CE and ROHS certified.

### ■ PRODUCT UNDER THIS TYPE

MODEL	Water Level	POWER	AC Input	Volt/DC	HEAT SINK	SIZE/MM
LL12-W1V	<b>IP44</b>	12W	100-240V	12/24V	Free Air	205*18*17
LL24-W1V	<b>IP44</b>	24W	100-240V	12/24V	Free Air	280*18*17
LL30-W1V12	<b>IP44</b>	30W	100-240V	12V	Free Air	280*18*17

## LL-SERIES-IP44 PLASTIC



### ■ PRODUCT FEATURES

- 1, Plastic casing material with good heat ability.
- 2, Power range from 12W,24W,30W,36W.
- 3, Built in EMI filter with tiny ripple rate.
- 4, 85% High efficiency with sufficient power.
- 5, 4 hours 100% full-load burn-in test before shipping.
- 6, OVP, OPF, OTP and Short circuit Protection programmed.
- 7, CE and ROHS certified.

### ■ PRODUCT UNDER THIS TYPE

MODEL	Water Level	POWER	AC Input	Volt/DC	HEAT SINK	SIZE/MM
LL36-W1V12	<b>IP44</b>	36W	100-240V	12V	Free Air	130*39*28
LL60-W1V12	<b>IP44</b>	60W	100-240V	12V	Free Air	160*49*26

## PFY-SERIES-IP20 ROUND ALUMINUM



### ■ PRODUCT FEATURES

- 1, Aluminum casing material with good heat ability.
- 2, Power range from 150W.
- 3, Built in EMI filter with tiny ripple rate.
- 4, 85% High efficiency with sufficient power.
- 5, 4 hours 100% full-load burn-in test before shipping.
- 6, OVP, OPF, OTP and Short circuit Protection programmed.
- 7, CE and ROHS certified.

### ■ PRODUCT UNDER THIS TYPE

MODEL	Water Level	POWER	AC Input	Volt/DC	HEAT SINK	SIZE/MM
PFY150-W1V	<b>IP20</b>	150W	110-240V	12V/24V	Free Air	φ 119*31

# LPSL-SERIES-IP44 CONSTANT CURRENT



## ■ PRODUCT FEATURES

- 1, Aluminum casing material with good heat ability.
- 2, Power range from 12W,15W,24W,35W.
- 3, Built in EMI filter with tiny ripple rate.
- 4, 85% High efficiency with sufficient power.
- 5, 4 hours 100% full-load burn-in test before shipping.
- 6, OVP, OPF, OTP and Short circuit Protection programmed.
- 7, CE and ROHS certified.

## ■ PRODUCT UNDER THIS TYPE

MODEL	Water Level	POWER	AC Input	Volt/DC	SIZE/MM
LPSL12-W1A350	<b>IP65</b>	12W	100-240V	18-36V*0.35A	205*18*17
LPSL15-W1A525	<b>IP65</b>	15W	100-240V	18-36V*0.525A	205*18*17
LPSL24-W1A700	<b>IP65</b>	24W	100-240V	18-36V*0.7A	280*18*17
LPSL35-W1A1050	<b>IP65</b>	35W	100-240V	18-36V*1.05A	280*18*17



**Xinreal Technology Co., Ltd. (xinreal)** specialized in R&D, manufacturing and selling of constant voltage LED power supplies since its establishment in 2011. Headquartered in Shenzhen, which is also the R&D and manufacturing center, xinreal, together with its agent and distributors, offering after sales service and technical support to Clients both domestic and abroad.

Our product policy is “**LESS BUT BETTER**”, targeting the niche market of constant voltage led power supply and focusing customers of small or medium volume.

**Xinreal** is required to meet different requirements of constant voltage LED power supplies from the market, with comprehensive product lines, flexible production management systems, planned stock and global channel.

Our products were mainly used in LED lighting industries. Currently we have issued products series including IP20 series for indoor lighting, IP40 dustproof, IP44 rainproof , IP67 waterproof for outdoor lighting and newly released 0-10V Triac constant voltage dimmable power supplies. Products were fully applied with safety, LVD, EMC, and ROHS standards, further more, they are certified with CE, ROHS, CB certifications issued by TUV. And we are now conducting UL certificates for our newly release products.

Quality is the fundamental for enterprises and main factor for long terms trust from clients. We provide quality and cost-effective product warranty services to our clients together with our sourcing management and preventive measures during production.

We do business as climbing mountain which need greatest modest, patience and down-to-earth altitude to reach the summit, making others benefited during progress to success.

We are keeping stick to the company policy of Quality First and clients. Friendly, hoping to jointly developing together with you.

## ■Manufacture:

Xinreal Technology Co., Ltd. (xinreal)

6/F, A3 Building, Huafeng Century Industrial Park,

Shenzhen, China 518126

[www.xinrealpower.com](http://www.xinrealpower.com)

[info@xinrealpower.com](mailto:info@xinrealpower.com)